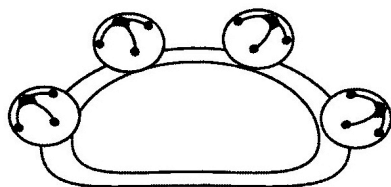
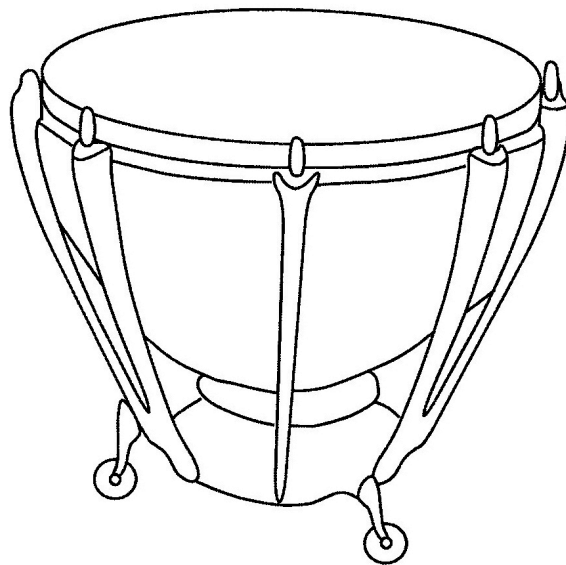


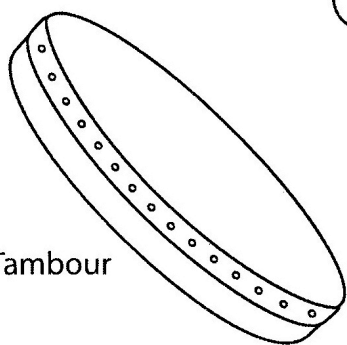
1. Colour the percussion instruments.

2. Circle the instruments you have in your classroom.

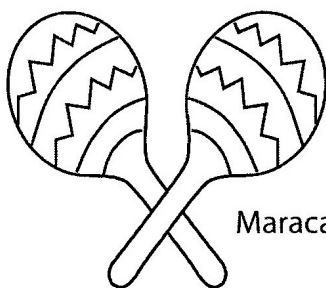
Timpani



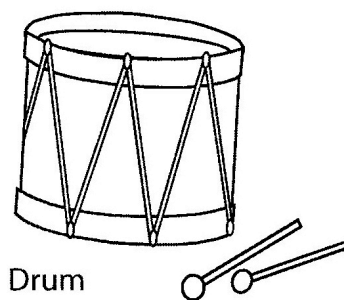
Jingle bells



Tambour

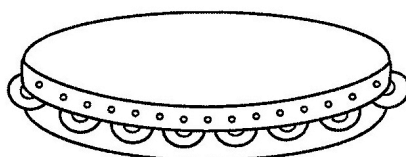
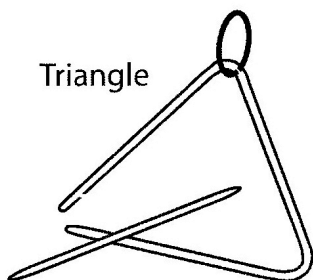


Maracas

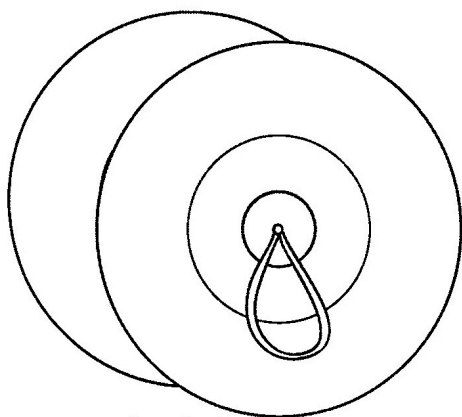


Drum

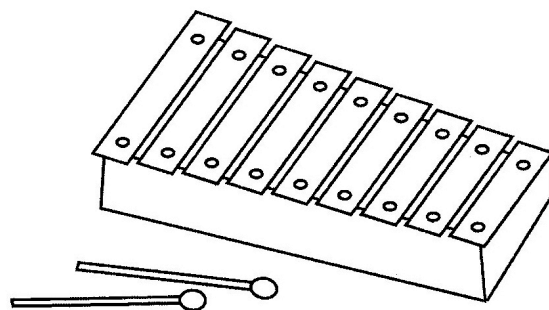
Triangle



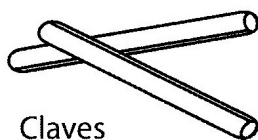
Tambourine



Cymbals



Xylophone



Claves